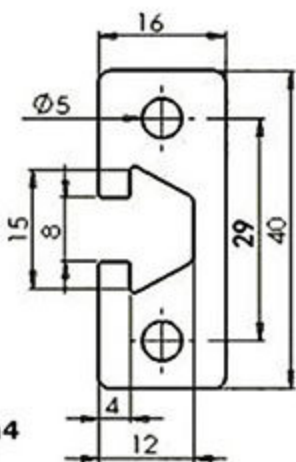




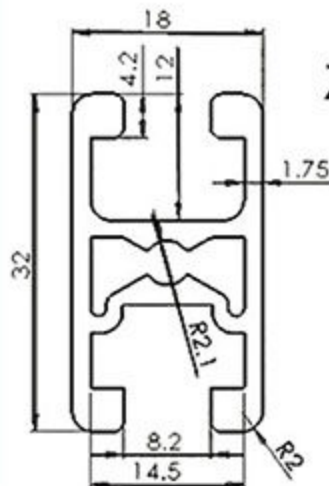
ZJD-8-1640



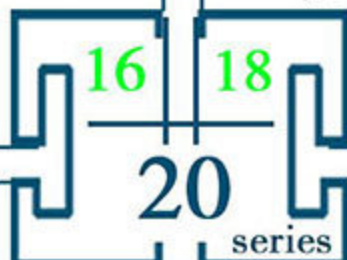
Material: Aluminum (6063-T5)
Length: 6.01M
Weight: 1.4KG/M
Finish: Anodizing
Moment of Inertia: LX:191.25cm⁴ LY:191.25cm⁴
Section Modulus: ZX:42.5cm³ ZY:42.5cm³



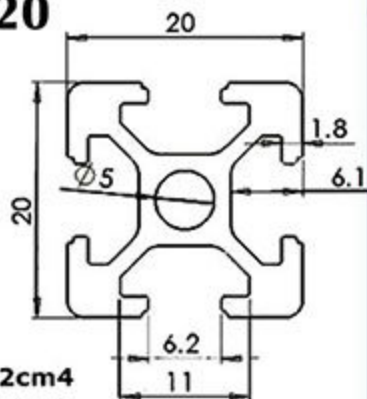
ZJD-8-1832



Material: Aluminum (6063-T5)
Length: 6.01M
Weight: 0.74kg/m
Finish: Anodizing
Moment of Inertia: LX:19.50.25cm⁴ LY:19.50cm⁴
Section Modulus: ZX:12.4cm³ ZY:12.4cm³



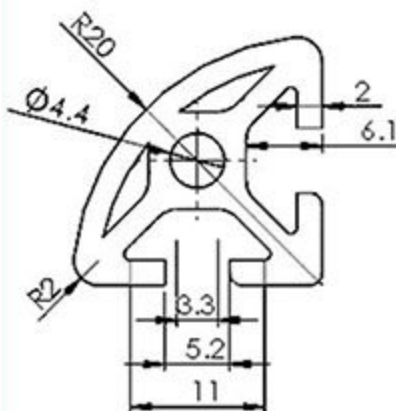
ZJD-6-2020



Material: Aluminum (6063-T5)
Length: 6.01M
Weight: 0.65kg/m
Finish: Anodizing
Moment of Inertia: LX:0.42cm⁴ LY:0.42cm⁴
Section Modulus: ZX:0.22cm³ ZY:0.22cm³



ZJD-6-2020R



Material: Aluminum (6063-T5)
Length: 6.01M
Weight: 0.8kg/m
Finish: Anodizing
Moment of Inertia: LX:0.72cm⁴ LY:0.72cm⁴
Section Modulus: ZX:0.72cm³ ZY:0.72cm³