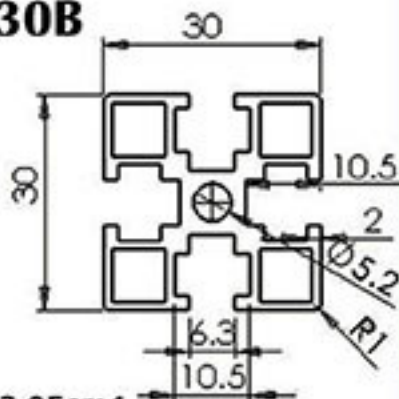




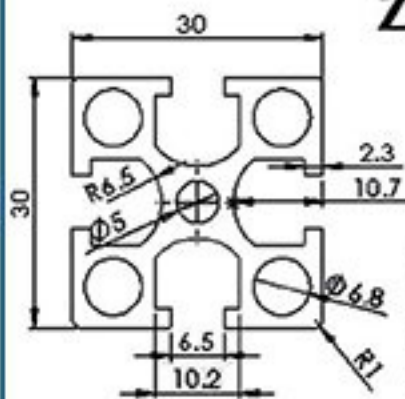
ZJD-6-3030B



Material: Aluminum (6063-T5)
 Length: 6.01M
 Weight: 1.1kg/m
 Finish: Anodizing
 Moment of Inertia: LX:3.05cm⁴ LY:3.05cm⁴
 Section Modulus: ZX:2.4cm³ ZY:2.4cm³



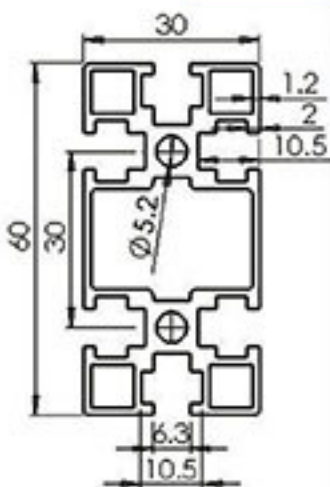
ZJD-6-3030G



Material: Aluminum (6063-T5)
 Length: 6.01M
 Weight: 1.2kg/m
 Finish: Anodizing
 Moment of Inertia: LX:3.05cm⁴ LY:3.05cm⁴
 Section Modulus: ZX:2.4cm³ ZY:2.4cm³



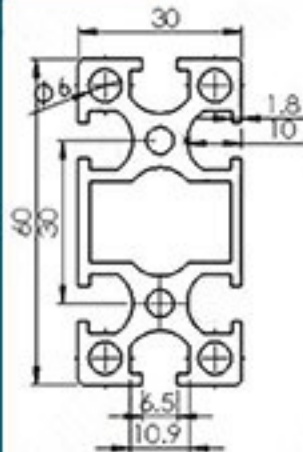
ZJD-6-3060C



Material: Aluminum (6063-T5)
 Length: 6.01M
 Weight: 1.78kg/m
 Finish: Anodizing
 Moment of Inertia: LX:19.8cm⁴ LY:5.15cm⁴
 Section Modulus: ZX:6.6cm³ ZY:3.3cm³



ZJD-6-3060G

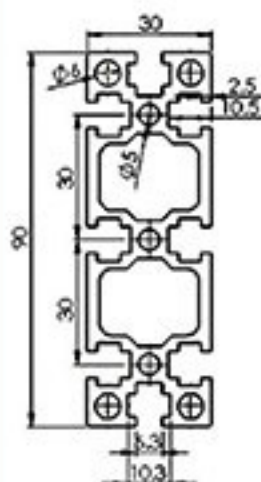
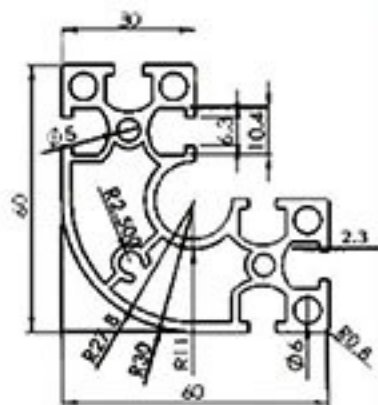


Material: Aluminum (6063-T5)
 Length: 6.01M
 Weight: 2.05kg/m
 Finish: Anodizing
 Moment of Inertia: LX:19.8cm⁴ LY:5.15cm⁴
 Section Modulus: ZX:6.6cm³ ZY:3.3cm³



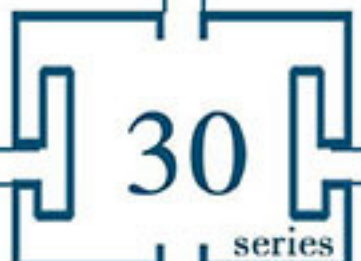
ZJD-6-3060DR

Material: Aluminum (6063-T5)
 Length: 6.01M
 Weight: 2.6kg/m
 Finish: Anodizing
 Moment of Inertia: LX: 2.85cm⁴ LY: 2.85cm⁴
 Section Modulus: ZX: 1.80cm³ ZY: 1.80cm³



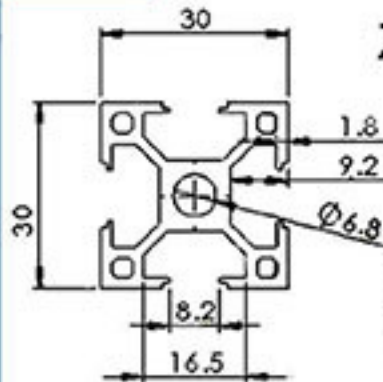
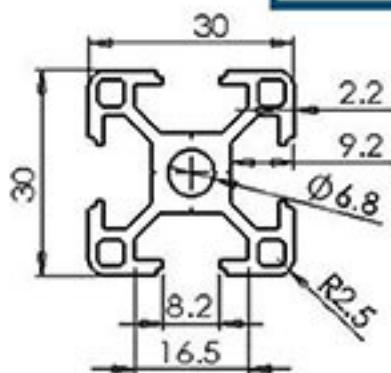
ZJD-6-3090A

Material: Aluminum (6063-T5)
 Length: 6.01M
 Weight: 2.85kg/m
 Finish: Anodizing
 Moment of Inertia: LX: 19.8cm⁴ LY: 5.15cm⁴
 Section Modulus: ZX: 6.60cm³ ZY: 3.30cm³



ZJD-8-3030

Material: Aluminum (6063-T5)
 Length: 6.01M
 Weight: 1.05kg/m
 Finish: Anodizing
 Moment of Inertia: LX: 2.85cm⁴ LY: 2.85cm⁴
 Section Modulus: ZX: 1.80cm³ ZY: 1.80cm³



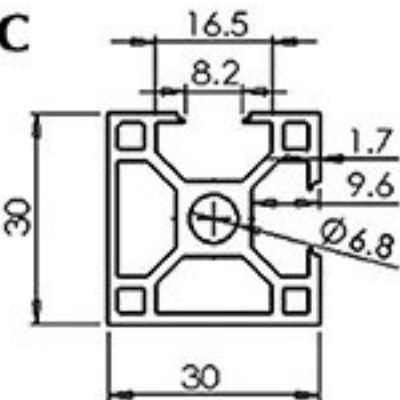
ZJD-8-3030A

Material: Aluminum (6063-T5)
 Length: 6.01M
 Weight: 1.08kg/m
 Finish: Anodizing
 Moment of Inertia: LX: 2.85cm⁴ LY: 2.85cm⁴
 Section Modulus: ZX: 1.80cm³ ZY: 1.80cm³





ZJD-8-3030C



Material: Aluminum (6063-T5)

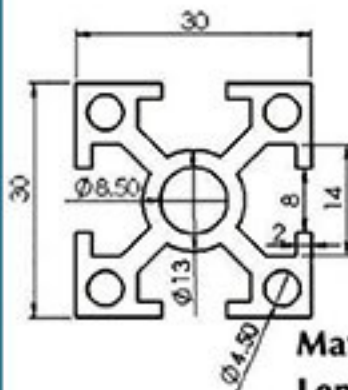
Length: 6.01M

Weight: 1.25kg/m

Finish: Anodizing

Moment of Inertia: LX:2.85cm⁴ LY:2.85cm⁴

Section Modulus: ZX:1.80cm³ ZY:1.80cm³



ZJD-8-3030D

Material: Aluminum (6063-T5)

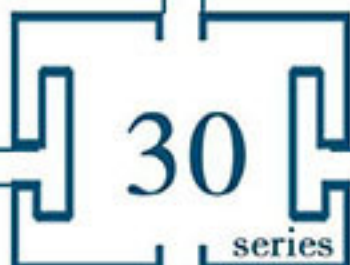
Length: 6.01M

Weight: 1.2kg/m

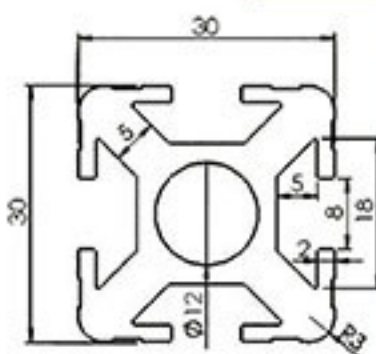
Finish: Anodizing

Moment of Inertia: LX:54.3cm⁴ LY:54.6cm⁴

Section Modulus: ZX:28.60cm³ ZY:14.30cm³



ZJD-8-3030E



Material: Aluminum (6063-T5)

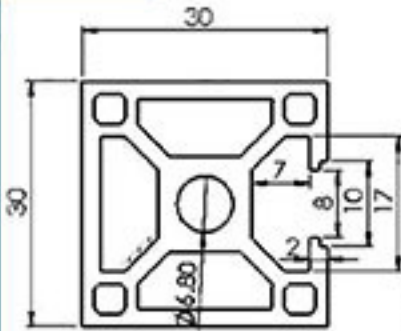
Length: 6.01M

Weight: 1.5kg/m

Finish: Anodizing

Moment of Inertia: LX:2.85cm⁴ LY:2.85cm⁴

Section Modulus: ZX:1.80cm³ ZY:1.80cm³



ZJD-8-3030F

Material: Aluminum (6063-T5)

Length: 6.01M

Weight: 1.3kg/m

Finish: Anodizing

Moment of Inertia: LX:54.30cm⁴ LY:54.60cm⁴

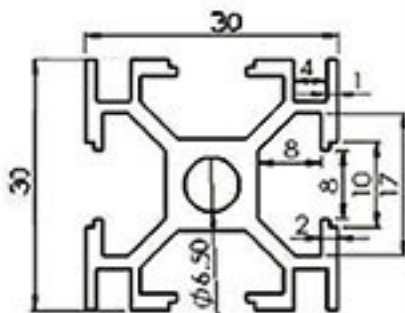
Section Modulus: ZX:28.60cm³ ZY:14.30cm³





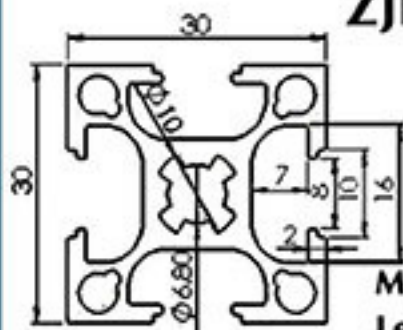
ZJD-8-3030H

Material: Aluminum (6063-T5)
 Length: 6.01M
 Weight: 1.1kg/m
 Finish: Anodizing
 Moment of Inertia: LX:64.3cm⁴ LY:64.3cm⁴
 Section Modulus: ZX:28.60cm³ ZY:14.30cm³



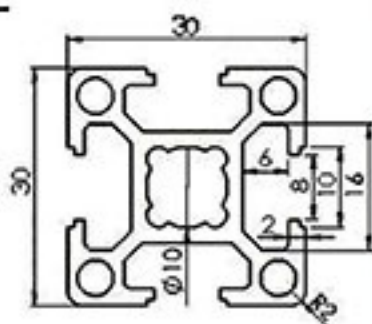
ZJD-8-3030K

Material: Aluminum (6063-T5)
 Length: 6.01M
 Weight: 1.04kg/m
 Finish: Anodizing
 Moment of Inertia: LX:2.85cm⁴ LY:2.85cm⁴
 Section Modulus: ZX:1.80cm³ ZY:1.80cm³



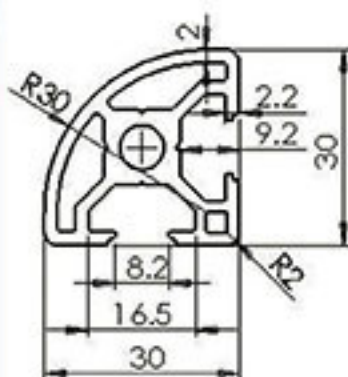
ZJD-8-3030L

Material: Aluminum (6063-T5)
 Length: 6.01M
 Weight: 1.03kg/m
 Finish: Anodizing
 Moment of Inertia: LX:2.85cm⁴ LY:2.85cm⁴
 Section Modulus: ZX:1.80cm³ ZY:1.80cm³



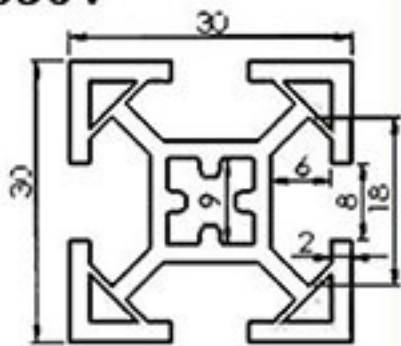
ZJD-8-3030R

Material: Aluminum (6063-T5)
 Length: 6.01M
 Weight: 1.2kg/m
 Finish: Anodizing
 Moment of Inertia: LX:2.52cm⁴ LY:2.52cm⁴
 Section Modulus: ZX:1.51cm³ ZY:1.51cm³





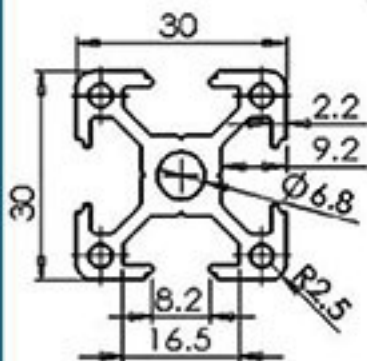
ZJD-8-3030V



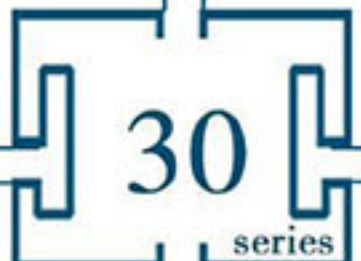
Material: Aluminum (6063-T5)
 Length: 6.01M
 Weight: 1.1kg/m
 Finish: Anodizing
 Moment of Inertia: LX:54.3cm⁴ LY:54.6cm⁴
 Section Modulus: ZX:28.60cm³ ZY:14.30cm³



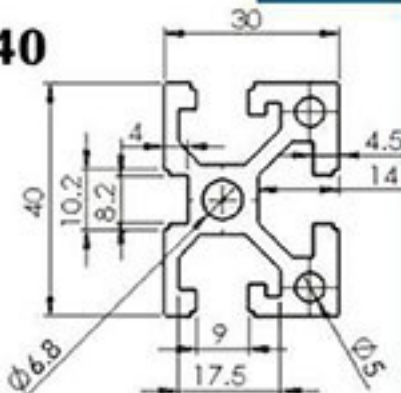
ZJD-8-3030W



Material: Aluminum (6063-T5)
 Length: 6.01M
 Weight: 1.2kg/m
 Finish: Anodizing
 Moment of Inertia: LX:2.52cm⁴ LY:2.52cm⁴
 Section Modulus: ZX:1.51cm³ ZY:1.51cm³



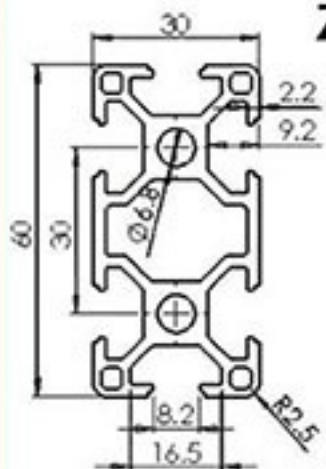
ZJD-8-3040



Material: Aluminum (6063-T5)
 Length: 6.01M
 Weight: 1.74KG/M
 Finish: Anodizing
 Moment of Inertia: Lx:3.35cm⁴ Ly:3.35cm⁴
 Section Modulus: Zx:2.28cm³ Zy:2.28cm³



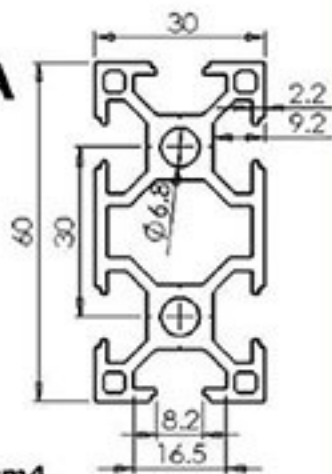
ZJD-8-3060



Material: Aluminum (6063-T5)
 Length: 6.01M
 Weight: 1.85kg/m
 Finish: Anodizing
 Moment of Inertia: LX:19.8cm⁴ LY:5.15cm⁴
 Section Modulus: ZX:6.60cm³ ZY:3.30cm³



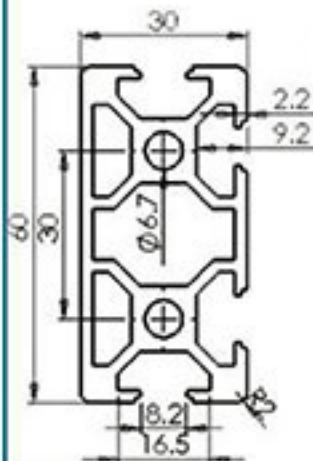
ZJD-8-3060A



Material: Aluminum (6063-T5)
 Length: 6.01M
 Weight: 1.85kg/m
 Finish: Anodizing
 Moment of Inertia: LX:19.8cm⁴ LY:5.15cm⁴
 Section Modulus: ZX:6.60cm³ ZY:3.30cm³



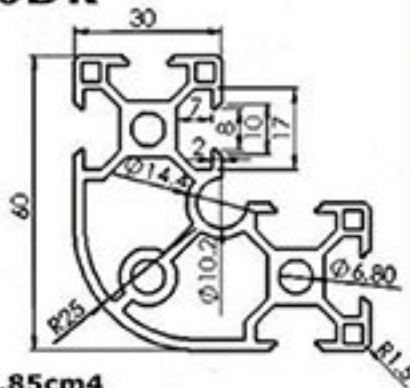
ZJD-8-3060B



Material: Aluminum (6063-T5)
 Length: 6.01M
 Weight: 2.3kg/m
 Finish: Anodizing
 Moment of Inertia: LX:19.8cm⁴ LY:5.15cm⁴
 Section Modulus: ZX:6.60cm³ ZY:3.30cm³



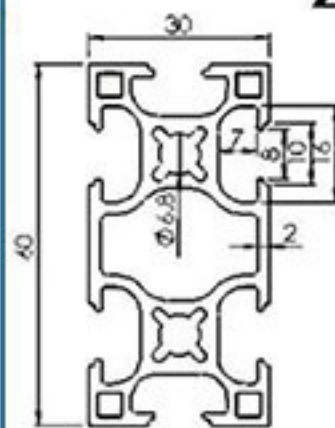
ZJD-8-3060DR



Material: Aluminum (6063-T5)
 Length: 6.01M
 Weight: 2.5kg/m
 Finish: Anodizing
 Moment of Inertia: LX:2.85cm⁴ LY:2.85cm⁴
 Section Modulus: ZX:1.80cm³ ZY:1.80cm³



ZJD-8-3060GA

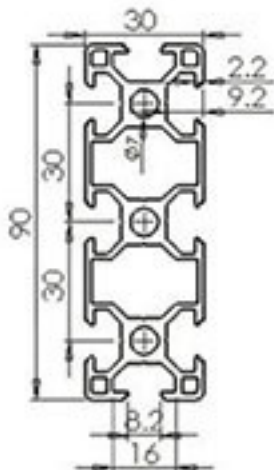
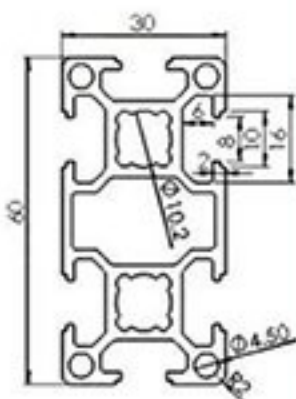


Material: Aluminum (6063-T5)
 Length: 6.01M
 Weight: 1.9kg/m
 Finish: Anodizing
 Moment of Inertia: LX:54.3cm⁴ LY:54.6cm⁴
 Section Modulus: ZX:28.60cm³ ZY:14.30cm³



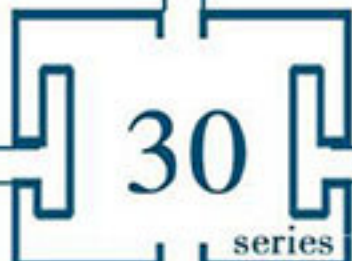
ZJD-8-3060L

Material: Aluminum (6063-T5)
 Length: 6.01M
 Weight: 1.8kg/m
 Finish: Anodizing
 Moment of Inertia: LX:54.3cm⁴ LY:54.6cm⁴
 Section Modulus: ZX:28.60cm³ ZY:14.30cm³



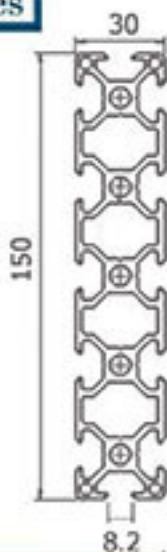
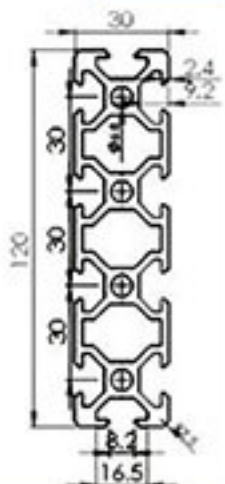
ZJD-8-3090

Material: Aluminum (6063-T5)
 Length: 6.01M
 Weight: 2.85kg/m
 Finish: Anodizing
 Moment of Inertia: LX:19.8cm⁴ LY:5.15cm⁴
 Section Modulus: ZX:6.60cm³ ZY:3.30cm³



ZJD-8-30120

Material: Aluminum (6063-T5)
 Length: 6.01M
 Weight: 3.98kg/m
 Finish: Anodizing
 Moment of Inertia: LX:19.8cm⁴ LY:5.15cm⁴
 Section Modulus: ZX:6.60cm³ ZY:3.30cm³



ZJD-8-30150

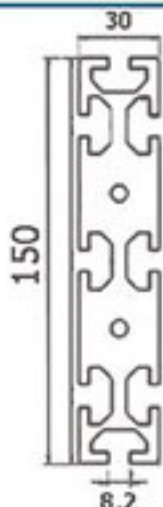
Material: Aluminum (6063-T5)
 Length: 6.01M
 Weight: 4.5kg/m
 Finish: Anodizing
 Moment of Inertia: LX:19.8cm⁴ LY:5.15cm⁴
 Section Modulus: ZX:6.60cm³ ZY:3.30cm³





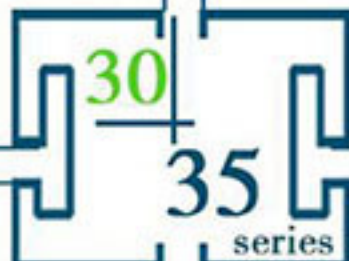
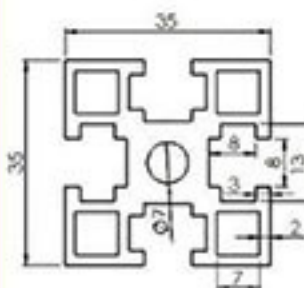
ZJD-8-30150B

Material: Aluminum (6063-T5)
 Length: 6.01M
 Weight: 8.6kg/m
 Finish: Anodizing
 Moment of Inertia: LX:19.8cm⁴ LY:5.15cm⁴
 Section Modulus: ZX:6.60cm³ ZY:3.30cm³



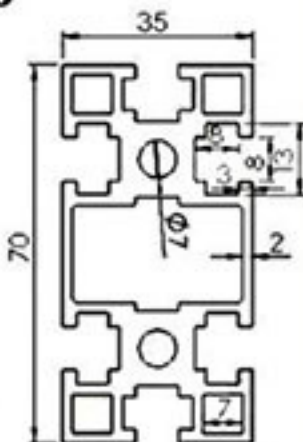
ZJD-8-3535

Material: Aluminum (6063-T5)
 Length: 6.01M
 Weight: 1.7kg/m
 Finish: Anodizing
 Moment of Inertia: LX:6.42cm⁴ LY:6.42cm⁴
 Section Modulus: ZX:3.74cm³ ZY:3.74cm³



ZJD-8-3570

Material: Aluminum (6063-T5)
 Length: 6.01M
 Weight: 2.9kg/m
 Finish: Anodizing
 Moment of Inertia: LX:6.42cm⁴ LY:6.42cm⁴
 Section Modulus: ZX:3.74cm³ ZY:3.74cm³



ZJD-10-3535

Material: Aluminum (6063-T5)
 Length: 6.01M
 Weight: 1.35kg/m
 Finish: Anodizing
 Moment of Inertia: LX:6.42cm⁴ LY:6.42cm⁴
 Section Modulus: ZX:3.74cm³ ZY:3.74cm³

