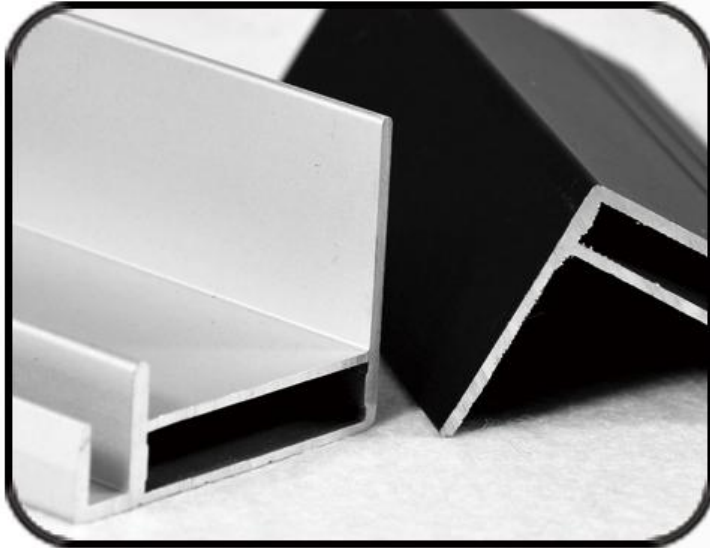


Anshan Zhongjida Industry Co.,Ltd.



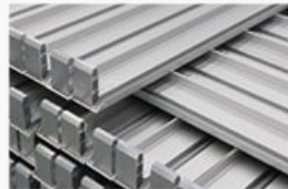
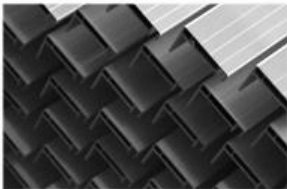


# Aluminum Solar Panel Frame



**Material: Aluminum alloy(6063-T5)**

**Color: Sliver, black**

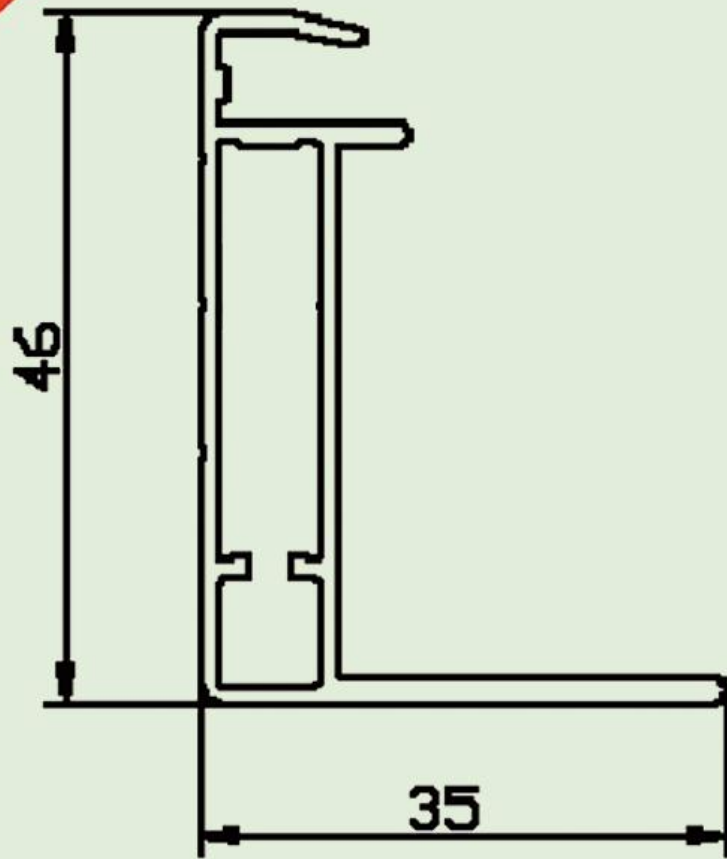




ZJDG550

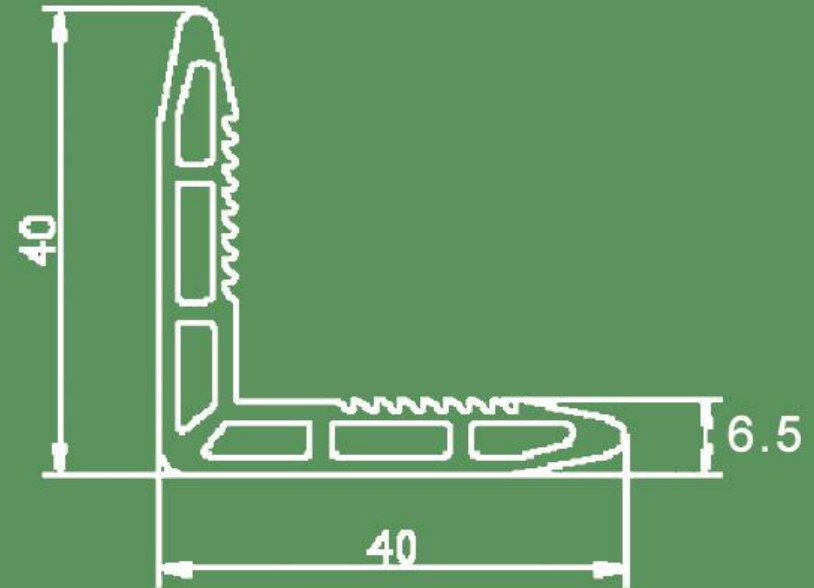
ZJDG551

**HOT**



Weight:0.520kg/m

Corner Bracket

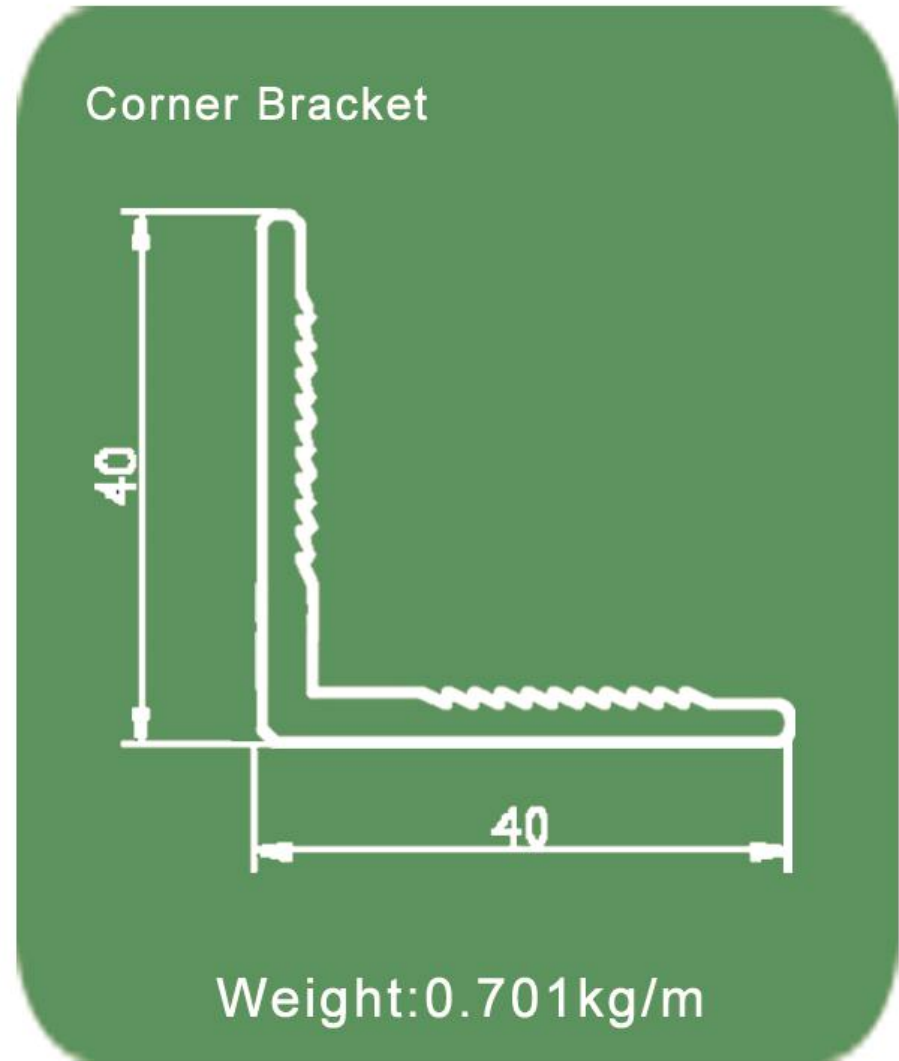
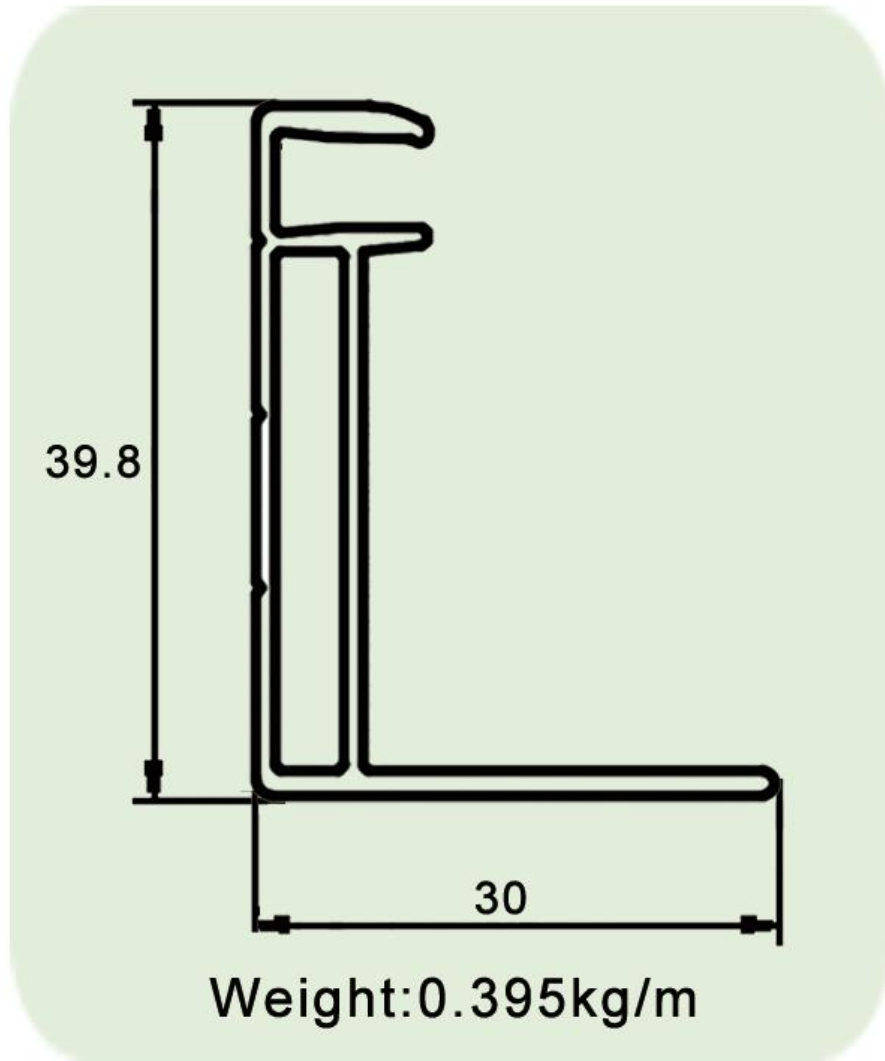


Weight:0.711kg/m



ZJDG204

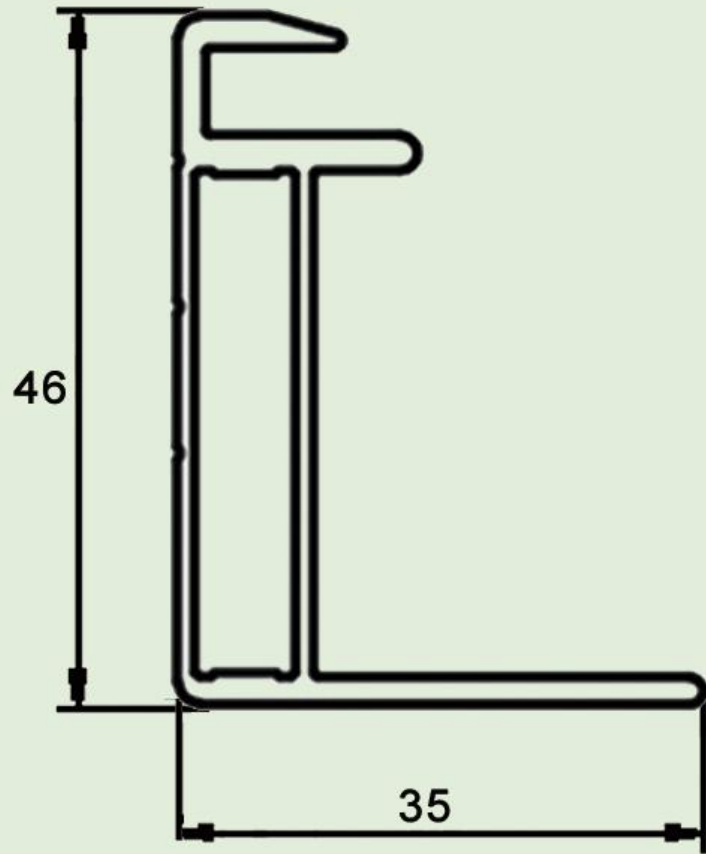
ZJDG204A





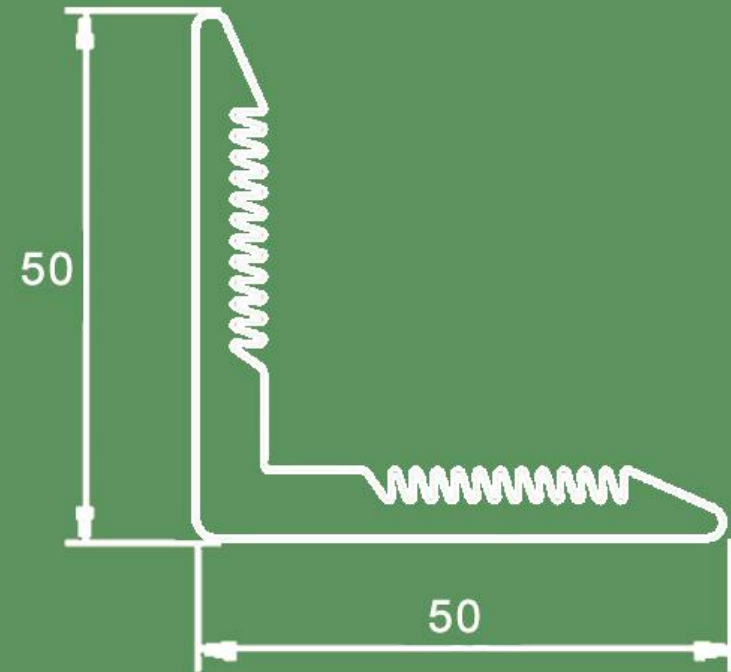
ZJDG289

ZJDG294



Weight: 0.582kg/m

Corner Bracket

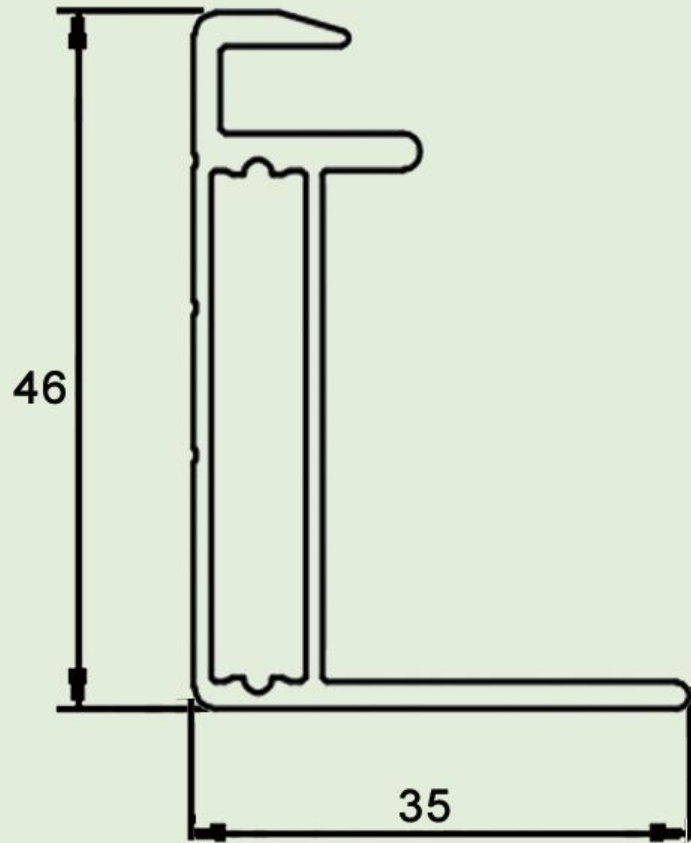


Weight: 1.346kg/m



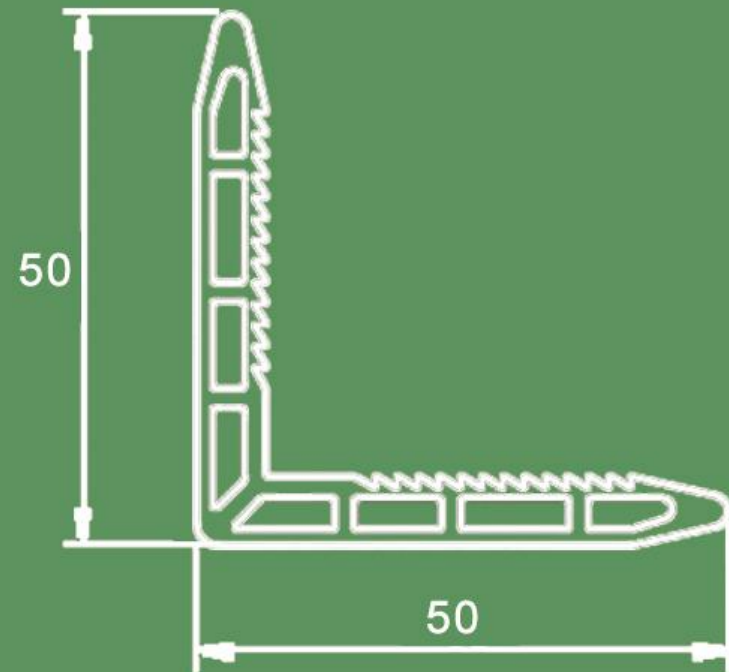
ZJDG316

ZJDG317



Weight:0.573kg/m

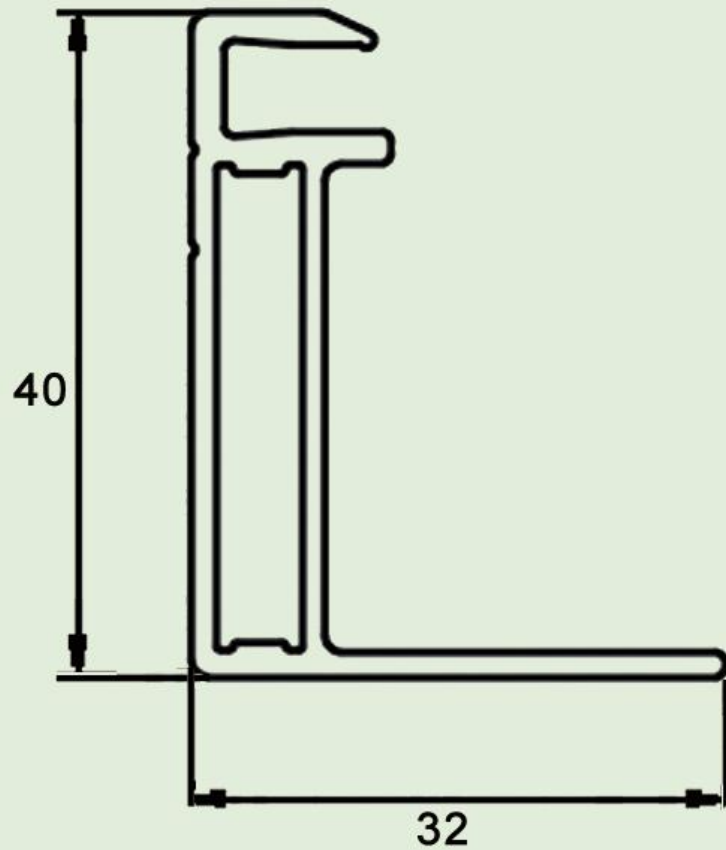
Corner Bracket



Weight:0.923kg/m



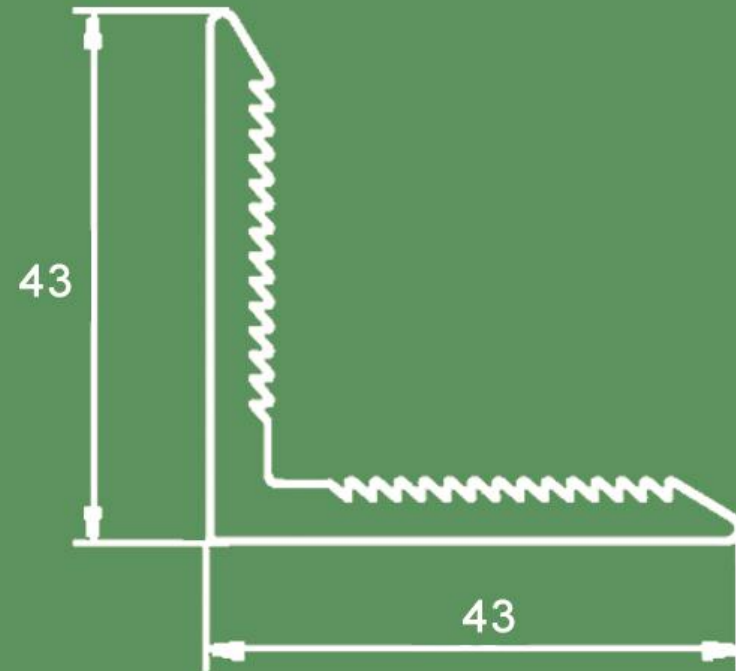
ZJDG424



Weight:0.504kg/m

ZJDG424A

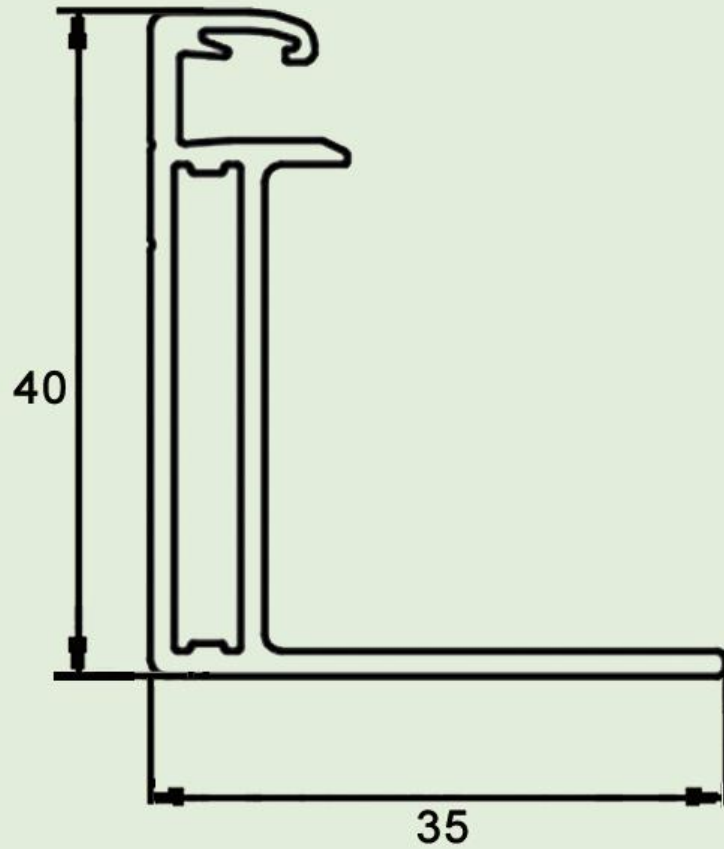
Corner Bracket



Weight:0.922kg/m



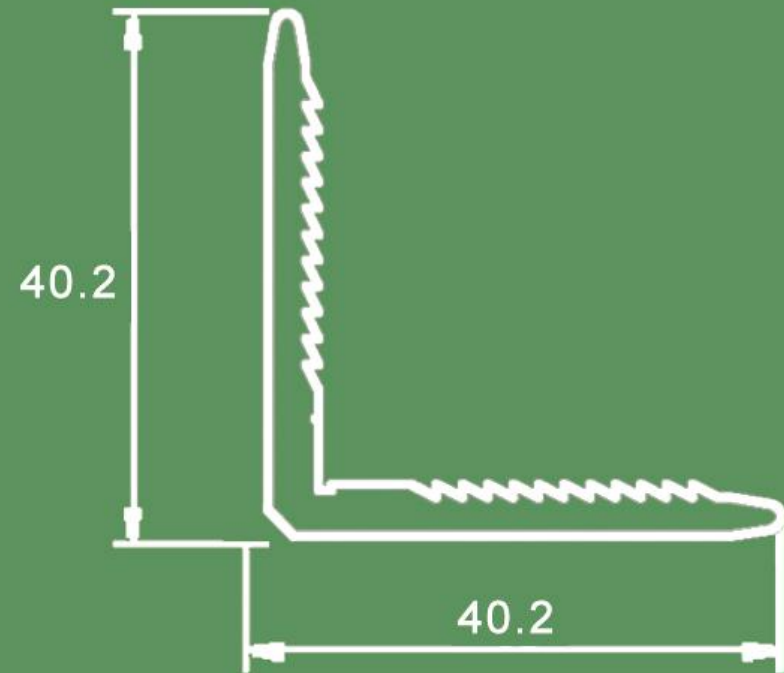
ZJDG426



Weight:0.475kg/m

ZJDG426A

Corner Bracket

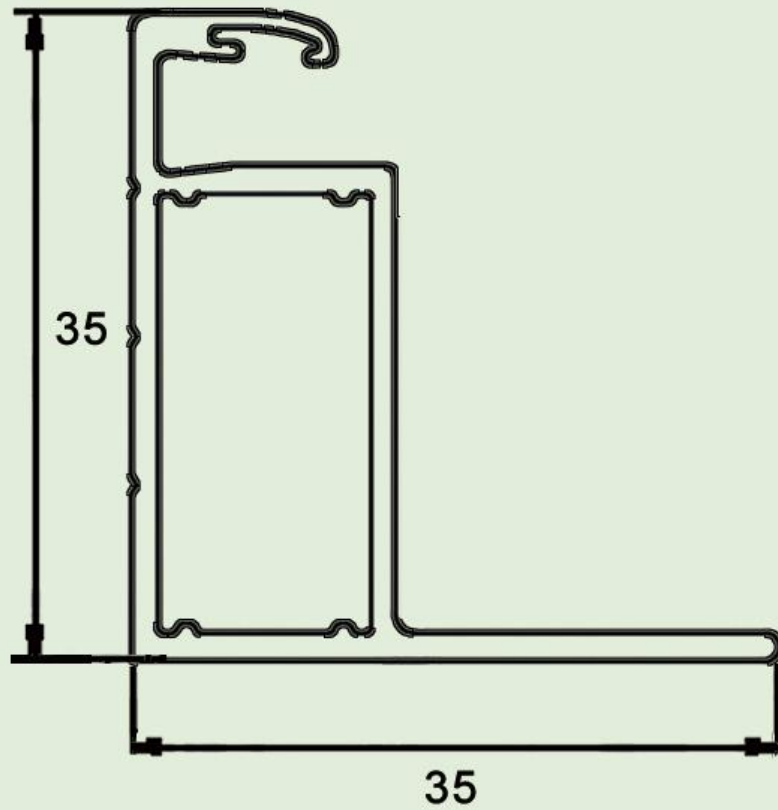


Weight:0.713kg/m





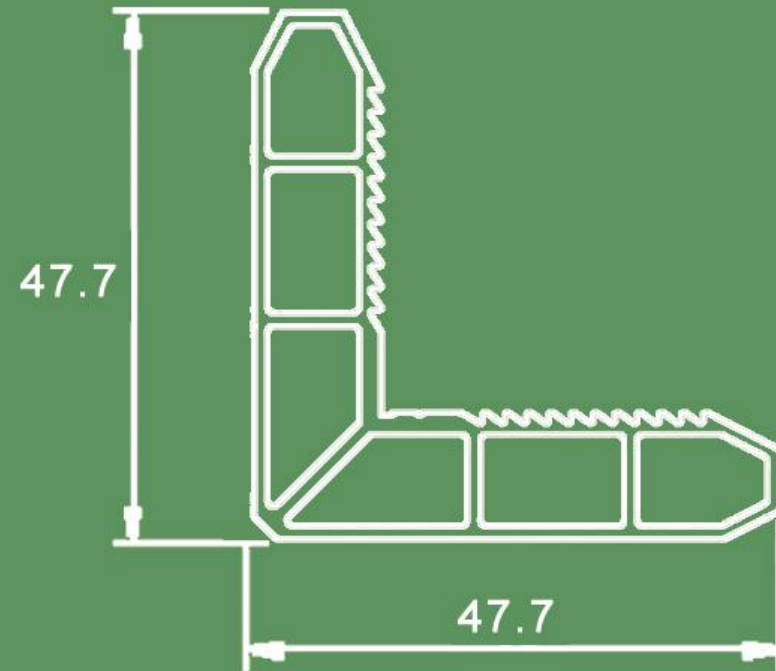
ZJDG462



Weight:0.457kg/m

ZJDG462A

Corner Bracket



Weight:0.808kg/m